



COMBINATION NIPPLES

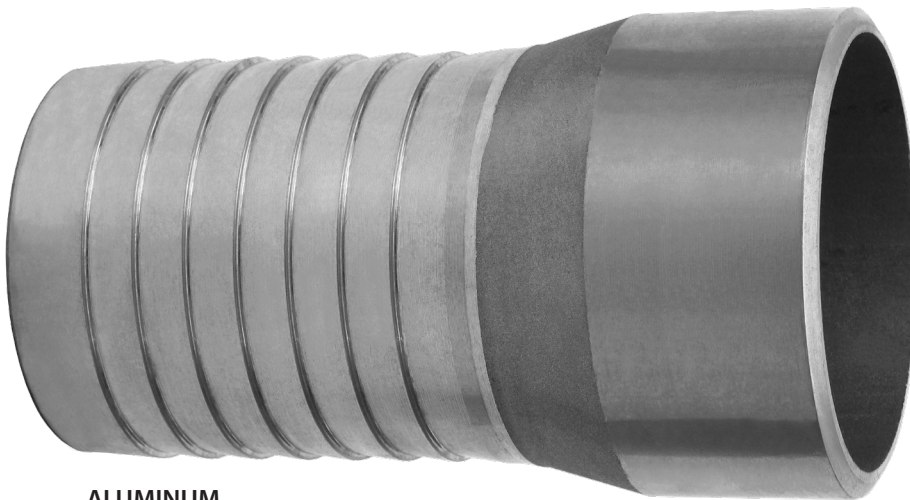
WELD BEVEL - ALUMINUM

FEATURES & APPLICATIONS:

- Low pressure fluid transfer, suction and discharge. Working pressures may vary with hose type and clamping system used to install couplings.

- Combination Nipples are recommended for low pressure discharge and suction service for compatible liquids. NOT for compressible products such as Air, Nitrogen and Steam.

*All blank end & grooved combination nipples are made using Schedule 40 pipe

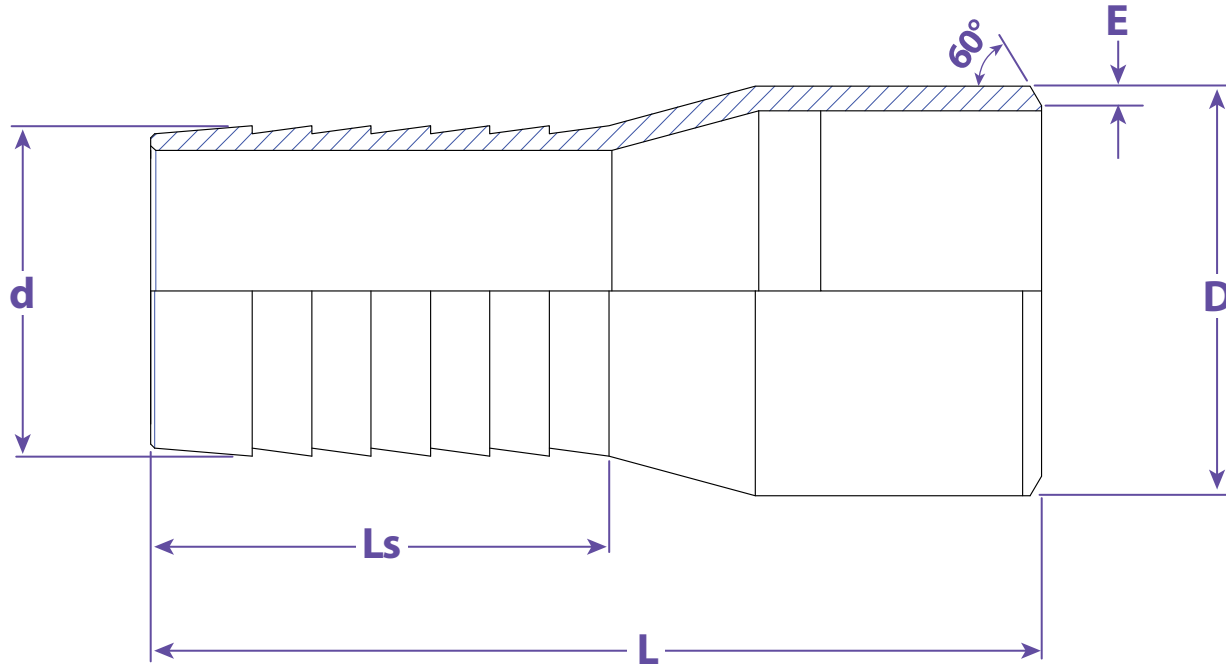


ALUMINUM

ALUMINUM	
SIZE	
3/4"	SF075BA
1"	SF100BA
1-1/4"	SF125BA
1-1/2"	SF150BA
2"	SF200BA
2-1/2"	SF250BA
3"	SF300BA
4"	SF400BA
5"	SF500BA
6"	SF600BA



Information contained on this page is for general information purposes only. Seal Fast Inc. assumes no responsibility for errors or omissions for this product.



Dimensions					
L	Ls	D	d	E	Part #
3.1102	1.5748	1.0512	0.7795	0.0787	SF075BA
3.3071	1.5748	1.3150	1.0354	0.0984	SF100BA
3.9370	1.8504	1.6598	1.2992	0.0981	SF125BA
4.1393	2.1260	1.9016	1.5354	0.0984	SF150BA
4.7244	2.4803	2.3740	2.0315	0.0984	SF200BA
5.5906	2.8937	2.8740	2.5315	0.1378	SF250BA
6.0236	3.3858	3.5000	3.0315	0.1378	SF300BA
7.0472	3.6220	4.5000	4.0315	0.1378	SF400BA
8.8583	5.4331	5.5630	5.0315	0.1575	SF500BA
10.9055	6.4567	6.6260	6.0472	0.1575	SF600BA

TITLE COMBINATION NIPPLES - WELD BEVEL

DISCLAIMER

All drawings and specifications are subject to change without notice. Drawings represent general dimensions of our products. Seal Fast cannot guarantee the dimensions of the part will exactly match those in the drawing. This drawing is the property of Seal Fast Inc. Copying or reproduction of this drawing is expressly prohibited.

MATERIAL

Aluminum

DRAWING NOT TO SCALE

PART # SF...BA